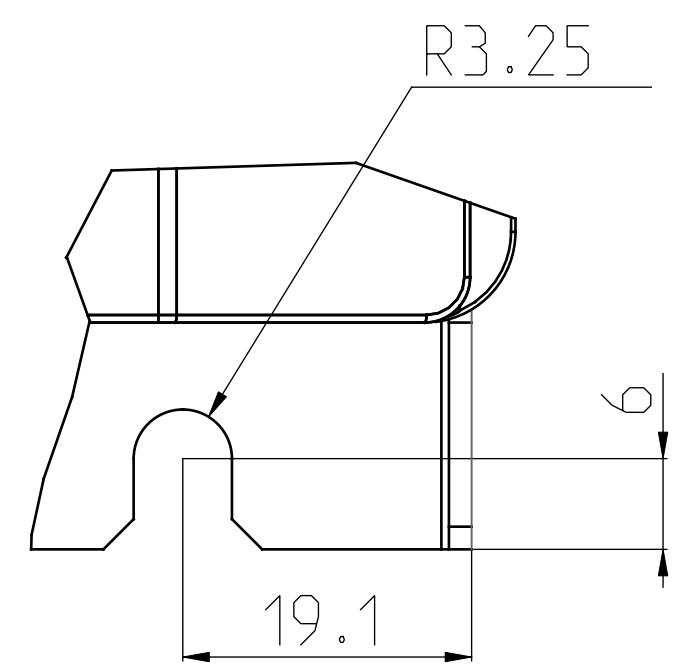


B
2:1



A
2:1

| | | | | | | | |
|--|--------------|------|------------|-------|----------------------|--------------|-----------|
| | | | Projection | Scale | Size | Material | |
| | | | | 1:4 | A2 | | |
| | | | | | Danfoss Standard | | |
| Mrk. | Approval/Rev | Date | | | Designation | | |
| Replace | | | | | hp104 size 11kw&15Kw | | |
| Design | | | | | | | |
| Approval | | | | | | | |
| Confidential: Property of Danfoss A/S, Nordborg, Denmark. Not to be handed over to, copied or used by third party. Two- or three dimensional reproduction of contents to be authorized by Danfoss A/S. | | | | | | No. HP104-A3 | Sheet 1/1 |
| | | | | | | Rev. | |