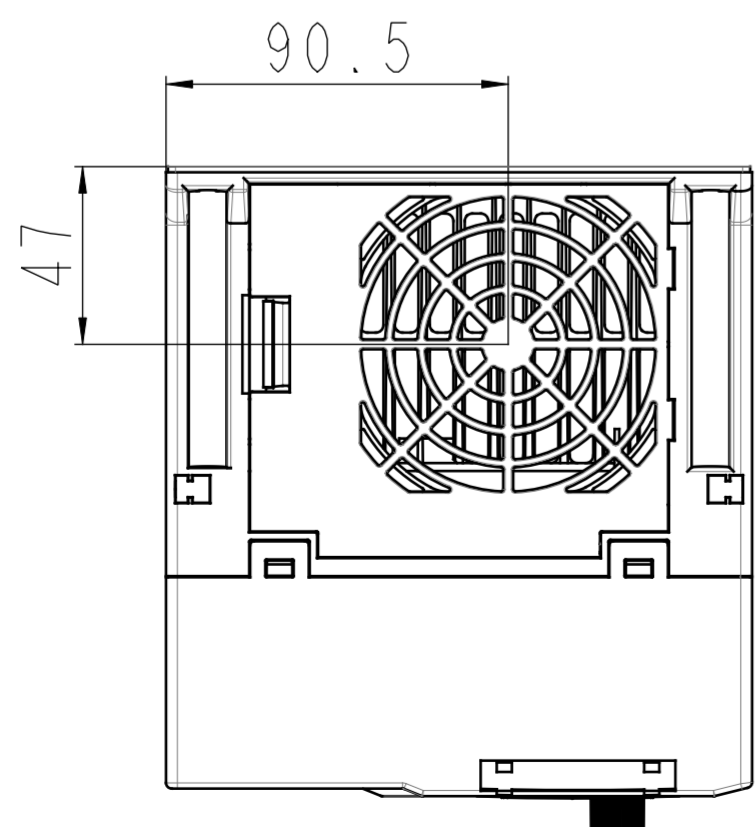
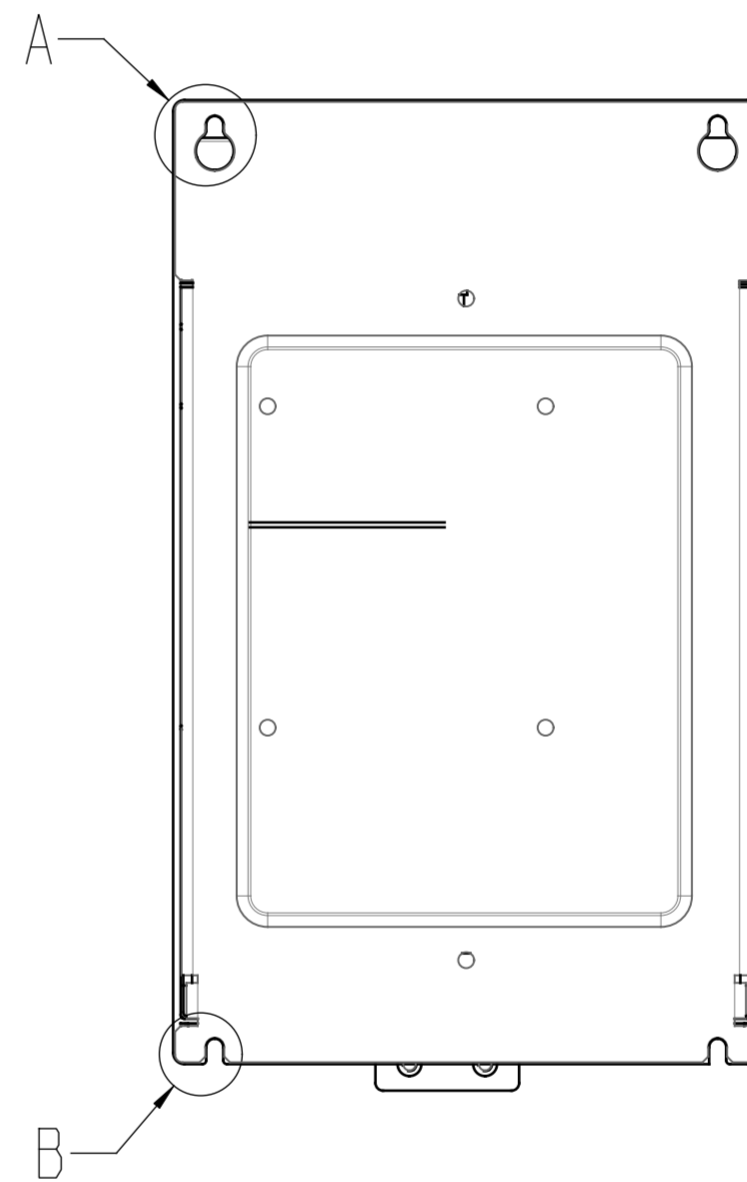
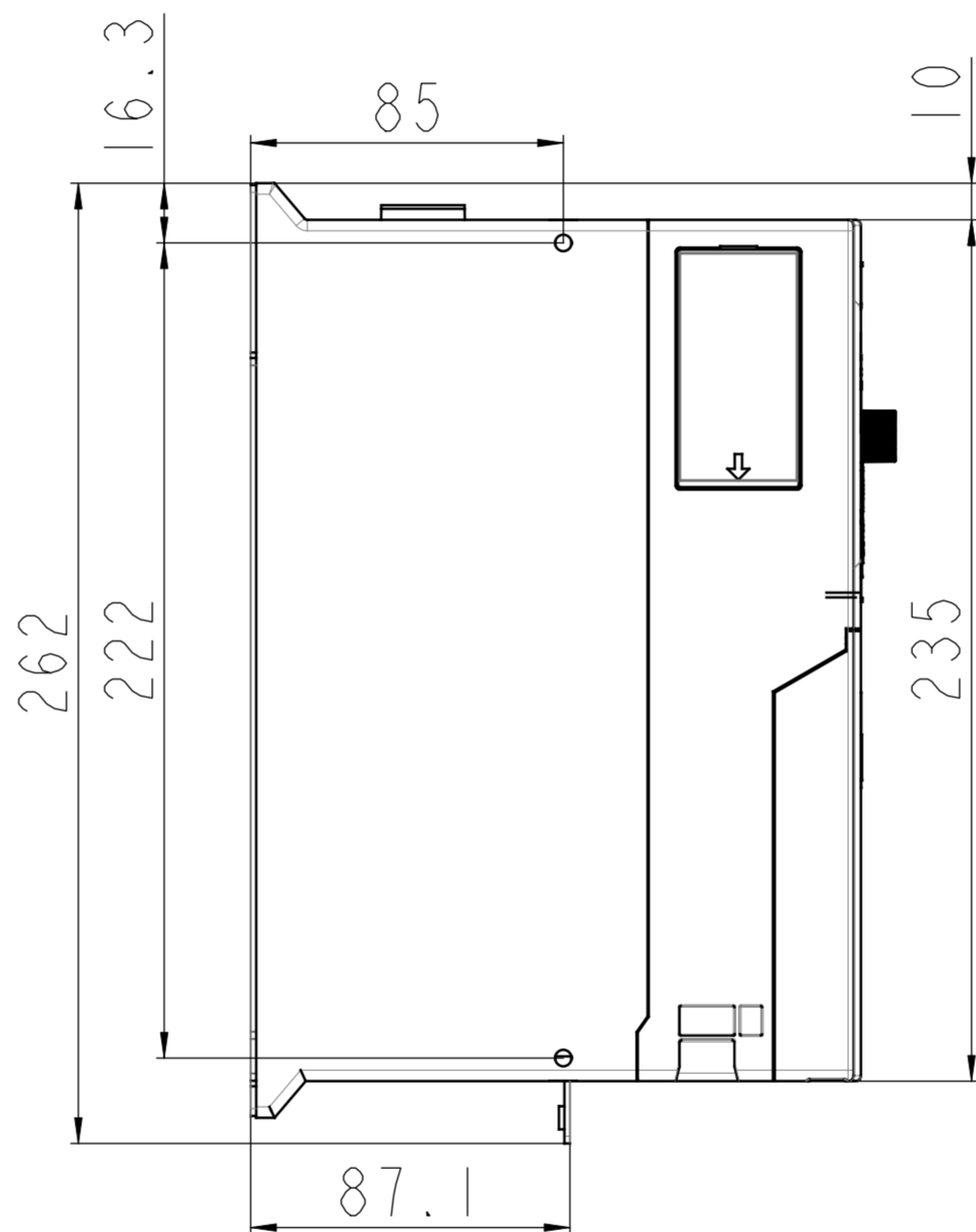
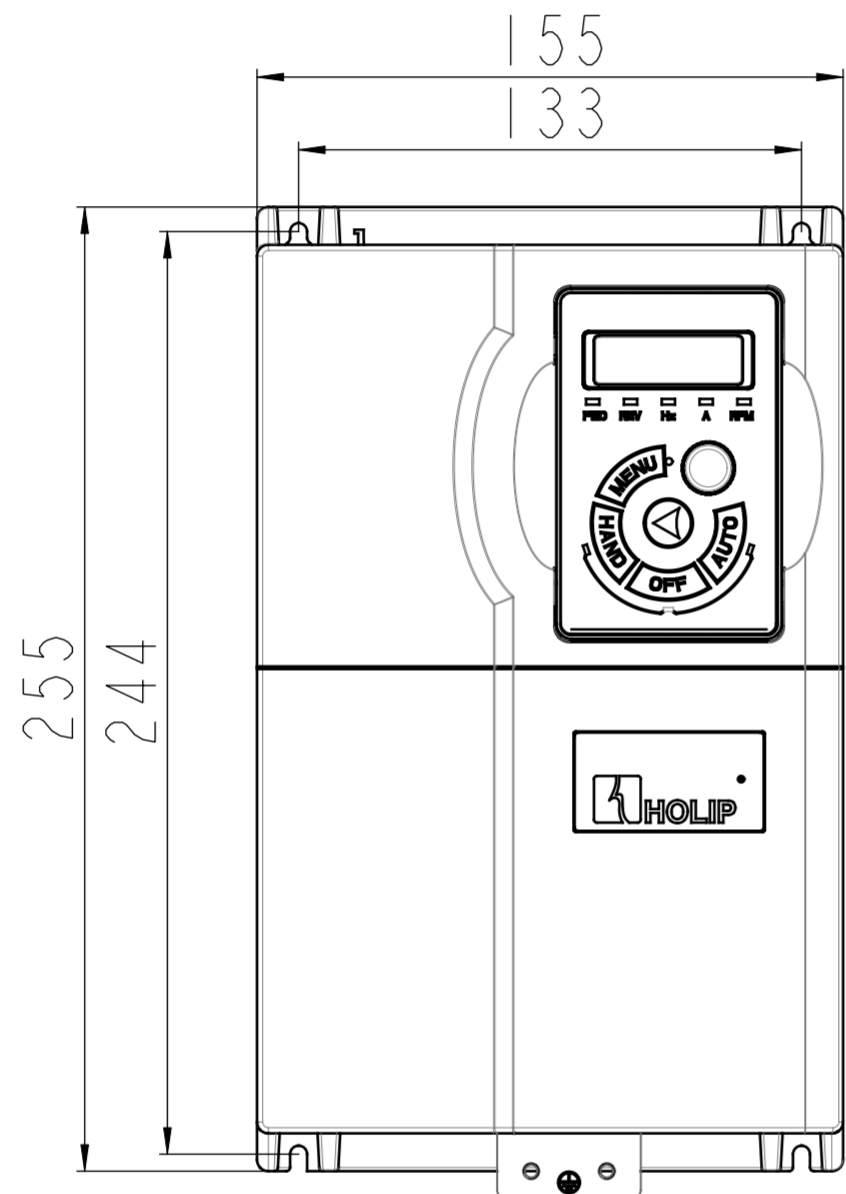


A(2:1)

B(2:1)



		Projection	Scale	Size	Material
			3:10	A2	Danfoss Standard
Mrk.	Approval/Rev	Date			
Replace					
Design					
Approval					
Confidential: Property of Danfoss A/S, Nordborg, Denmark. Not to be handed over to, copied or used by third party. Two- or three dimensional reproduction of contents to be authorized by Danfoss A/S.					Designation hp105 a2 7.5kw
					No. HP105-A2 Rev. _____
					Sheet 1/1